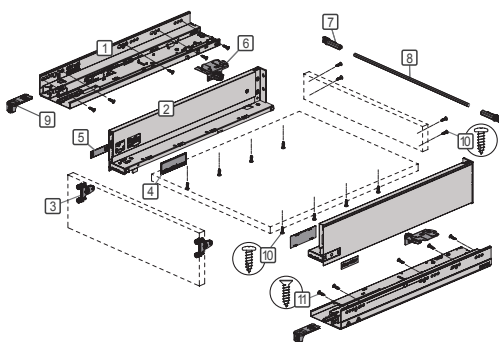


Simlead



*Grey parts are included in kit



Simlead Premium Metal Drawer Kits Push to Open with Soft Close – E Height

- Slim. Safe. Premium.
- Metal walls just 13mm thick
- Synchronised movements for minimal noise and smooth-running motion
- Smooth and consistent soft-close action with no 'bounce-back'
- 8-way adjustment, including depth, side, height and tilt, for precise gap alignment
- Easy installation and easy removal via a unique locking device
- Available in 4 heights: B (97mm), C (138mm), D (185mm) and **E (249mm) as on this page**
- Available in 2 colour options: classic white and dark grey
- Available in several runner lengths: 350mm, 400mm, 450mm, 500mm and 550mm
- Available in 2 load capacities: 40kg and 70kg
- Tested to 100,000 cycles (independent lab with 40kg, Kingslide lab with 70kg)



| Item Code | Product Description | Runner mm | Load Capacity | Sales Unit |
|--|------------------------------------|-----------|---------------|------------|
| E Height Drawer (249mm) – Classic White | | | | |
| KS35E4PSCWH | Soft Close, Push to Open, Knock In | 350 | 40kg | Kit |
| KS40E4PSCWH | Soft Close, Push to Open, Knock In | 400 | 40kg | Kit |
| KS45E4PSCWH | Soft Close, Push to Open, Knock In | 450 | 40kg | Kit |
| KS50E4PSCWH | Soft Close, Push to Open, Knock In | 500 | 40kg | Kit |
| KS55E4PSCWH | Soft Close, Push to Open, Knock In | 550 | 40kg | Kit |
| KS45E7PSCWH | Soft Close, Push to Open, Knock In | 450 | 70kg | Kit |
| KS50E7PSCWH | Soft Close, Push to Open, Knock In | 500 | 70kg | Kit |
| KS55E7PSCWH | Soft Close, Push to Open, Knock In | 550 | 70kg | Kit |
| E Height Drawer (249mm) – Dark Grey | | | | |
| KS35E4PSCGY | Soft Close, Push to Open, Knock In | 350 | 40kg | Kit |
| KS40E4PSCGY | Soft Close, Push to Open, Knock In | 400 | 40kg | Kit |
| KS45E4PSCGY | Soft Close, Push to Open, Knock In | 450 | 40kg | Kit |
| KS50E4PSCGY | Soft Close, Push to Open, Knock In | 500 | 40kg | Kit |
| KS55E4PSCGY | Soft Close, Push to Open, Knock In | 550 | 40kg | Kit |
| KS45E7PSCGY | Soft Close, Push to Open, Knock In | 450 | 70kg | Kit |
| KS50E7PSCGY | Soft Close, Push to Open, Knock In | 500 | 70kg | Kit |
| KS55E7PSCGY | Soft Close, Push to Open, Knock In | 550 | 70kg | Kit |

Suggested panel colour to match Simlead grey is Anthracite Velvet (from Prime Melamine)

Complements Plastika Minima cutlery trays in Orion Grey

Check out the Tanova Designer Series 2 kitchen waste bins and laundry baskets built on Simlead drawers – see section 2 of this book

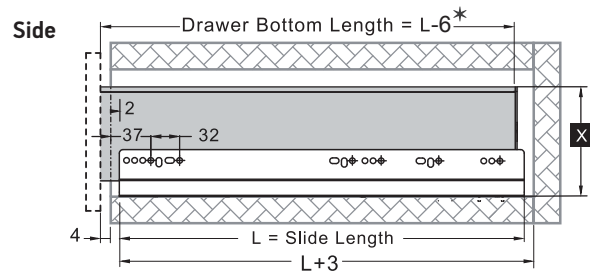
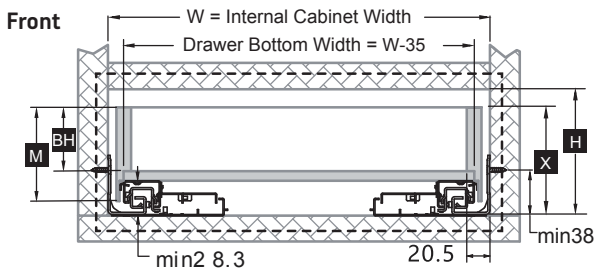
Dimensions

| | Height | B | C | D | E |
|---------------------|--------|---------|---------|---------|---------|
| SIMLEAD Box | M | 97 | 138 | 185 | 249 |
| SIMLEAD | X | 109 | 150 | 197 | 261 |
| Metal Drawer System | H | min 114 | min 155 | min 203 | min 267 |
| | BH | 60 | 102 | 149 | 213 |

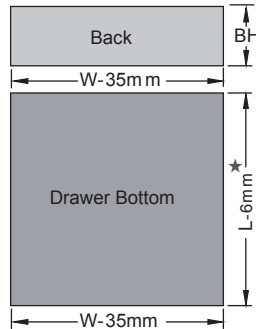
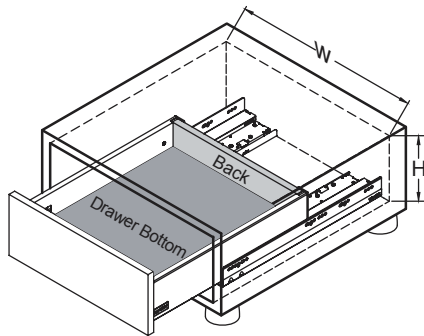
W = Internal Cabinet Width H = Internal Cabinet Height
 L = Slide Length BH = Drawer Back Height
 X = Height of Slide + Drawer Slide M = Drawer Side Height



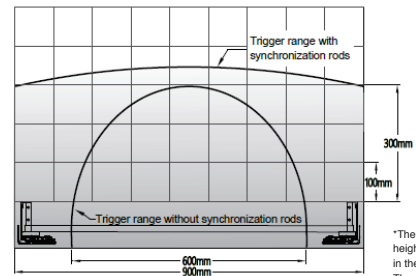
Front and Side Views



Allowances for Drawer Bottom Length: +0/-2mm



Push-Open Trigger Range

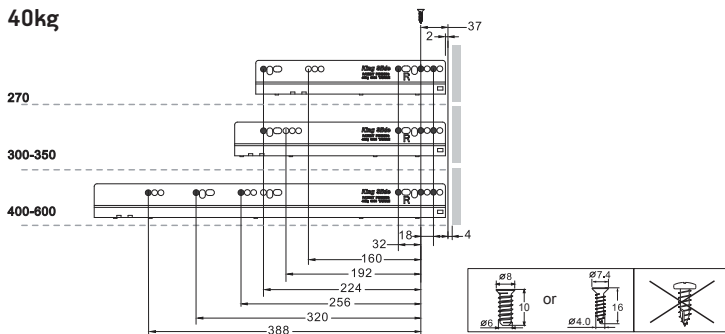


For push to open models, do not exceed drawer front height of wall height plus 300mm

*The example of height B is shown in the diagram. The actual trigger range may vary in accordance with the precision of installation.

Cabinet Profile Screw Positions

40kg



70kg

